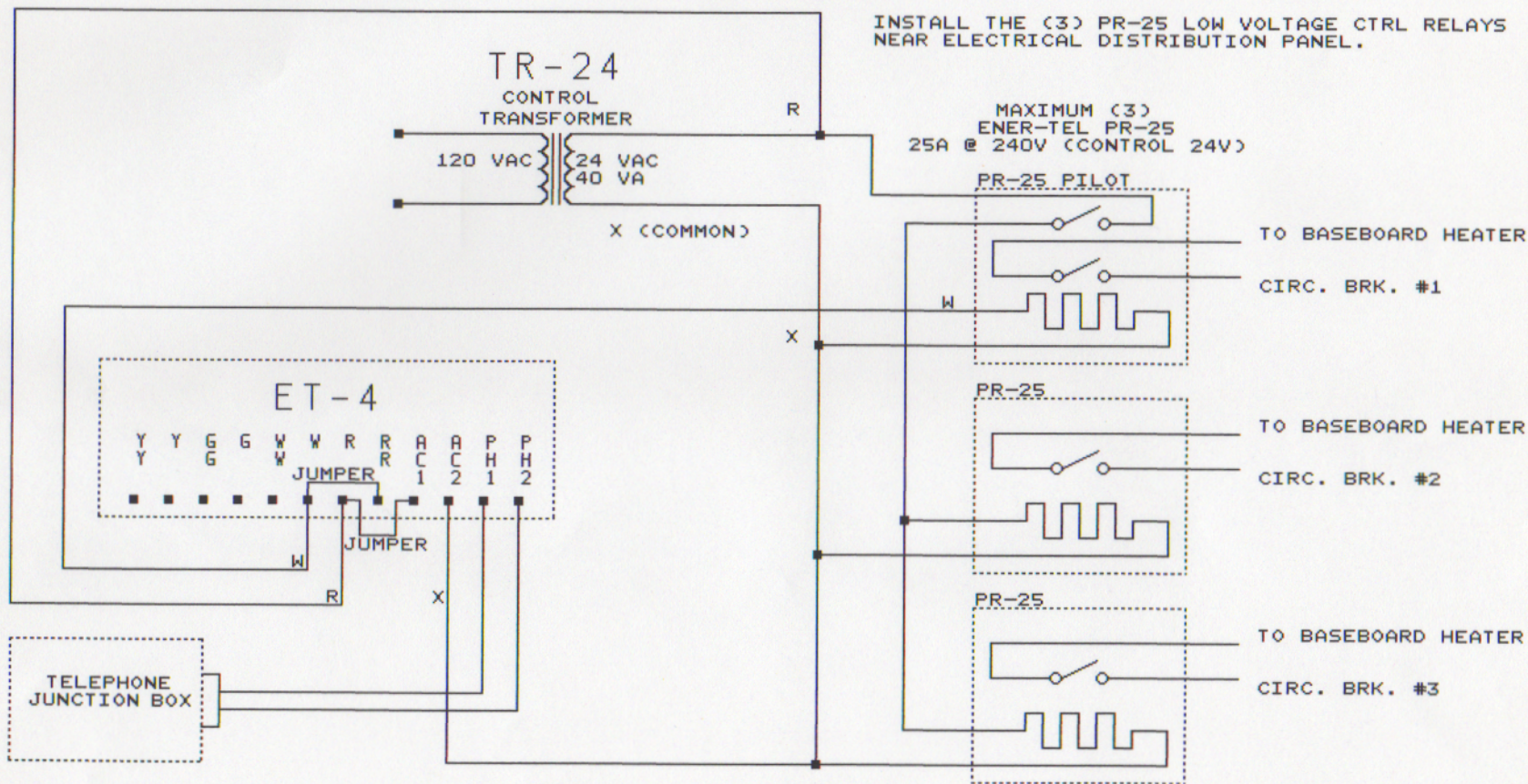


# ET-4 CONTROLLING BASEBOARD HEATERS INSTALLATION AND WIRING

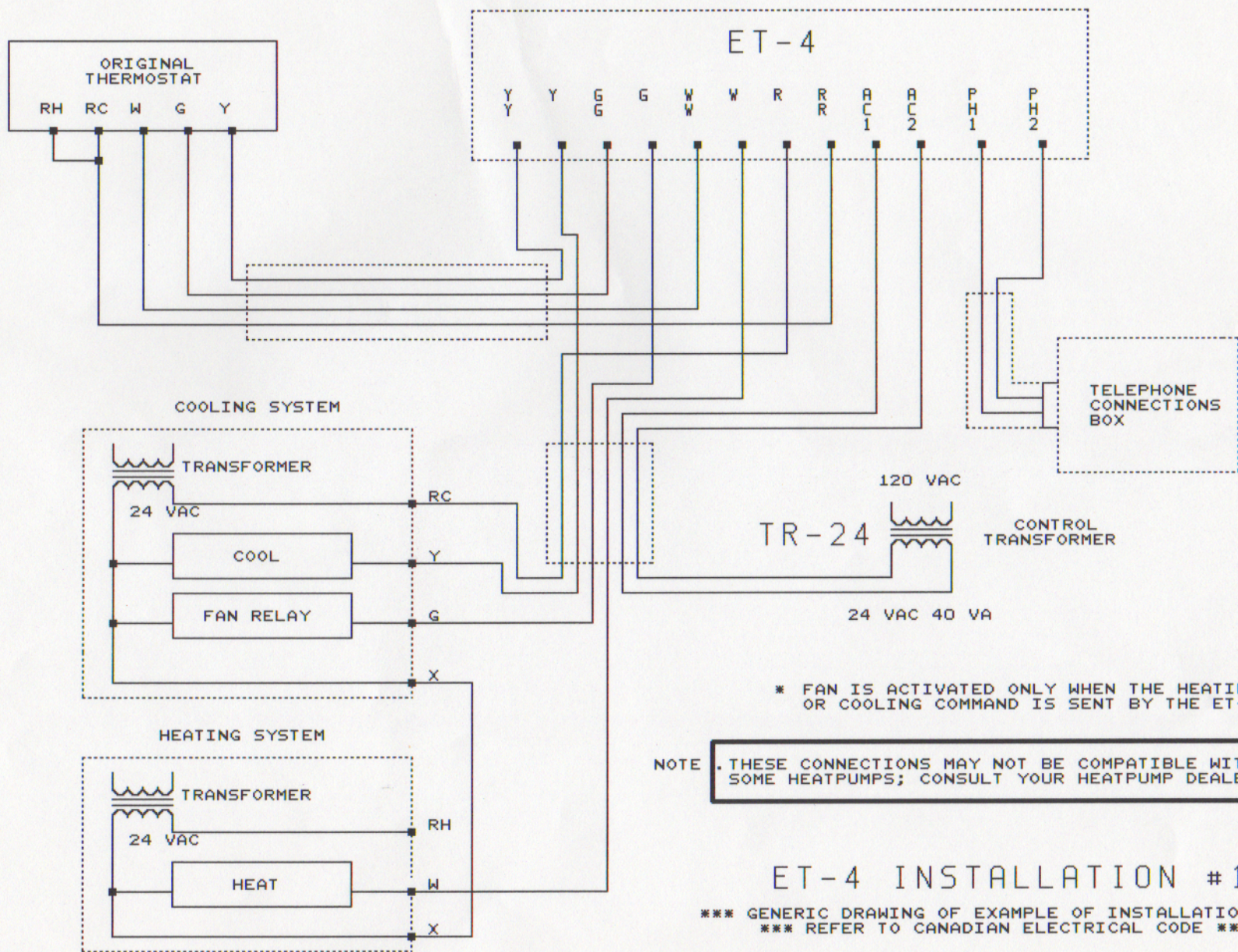


INSTALL ET-4 ON MAIN LEVEL  
AT 5 FEET FROM GROUND  
DO NOT INSTALL FACING THE SUN  
KEEP ALL INTERIOR DOORS OPEN

NOTE: ALL LINE VOLTAGE  
ROOM THERMOSTATS HAVE  
TO BE SET AT COMFORT  
TEMPERATURE

ET-4  
INSTALLATION #2

\*\*\*GENERIC DRAWING OF EXAMPLE OF INSTALLATION\*\*\*  
\*\*\* REFER TO CANADIAN ELECTRICAL CODE \*\*\*



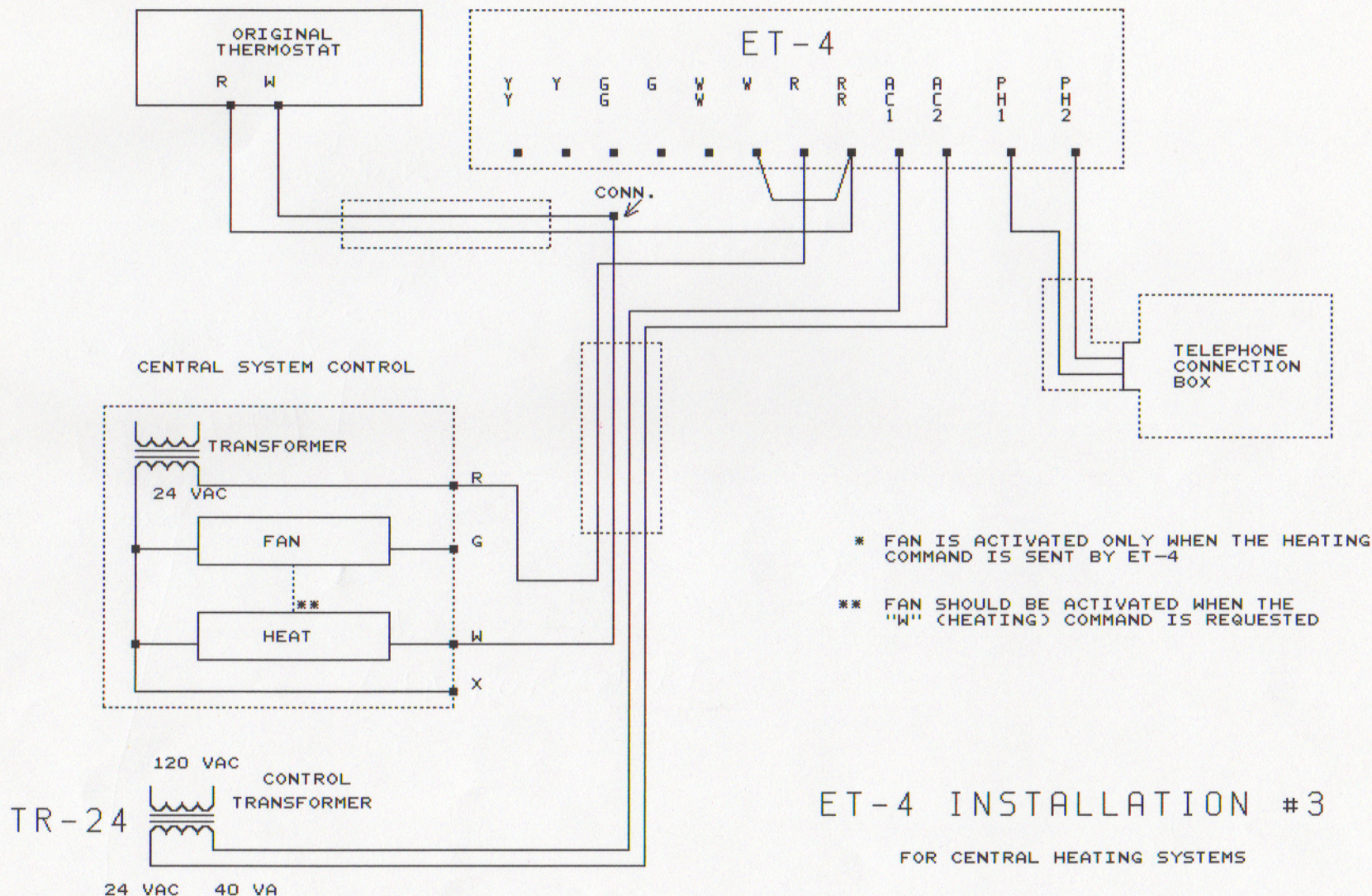
\* FAN IS ACTIVATED ONLY WHEN THE HEATING OR COOLING COMMAND IS SENT BY THE ET-4

NOTE . THESE CONNECTIONS MAY NOT BE COMPATIBLE WITH SOME HEATPUMPS; CONSULT YOUR HEATPUMP DEALER.

## ET-4 INSTALLATION #1

\*\*\* GENERIC DRAWING OF EXAMPLE OF INSTALLATION \*\*\*  
 \*\*\* REFER TO CANADIAN ELECTRICAL CODE \*\*\*

SET AND KEEP THIS THERMOSTAT ALWAYS AT COMFORT TEMPERATURE



### ET-4 INSTALLATION #3

FOR CENTRAL HEATING SYSTEMS

AN ADDITIONAL 24V TRANSFORMER MUST BE USED TO SUPPLY THE ET-4 WHEN USED WITH ANY CENTRAL HEATING AND/OR COOLING SYSTEM

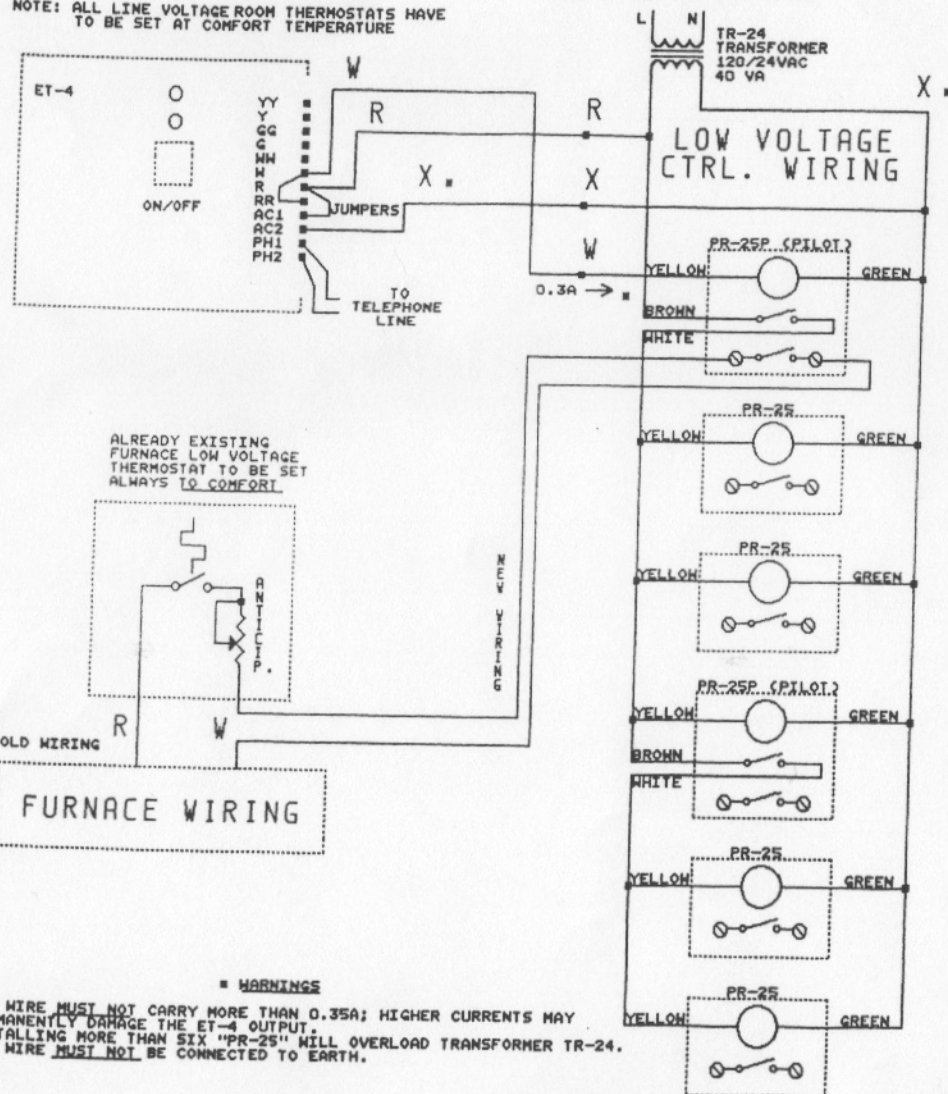
\*\*\* GENERIC DRAWING OF EXAMPLE OF INSTALLATION \*\*\*  
 \*\*\* REFER TO CANADIAN ELECTRICAL CODE \*\*\*

# ET-4 AS LOW VOLTAGE CONTROL FOR A CENTRAL HEATING FURNACE, 4 BASEBOARD HEATER CIRCUITS AND ONE CIRCUIT FOR THE HOT WATER TANK IN A LARGE COTTAGE

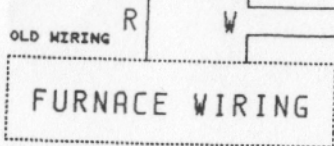
INSTALL ET-4 BESIDE THE EXISTING LOW VOLTAGE THERMOSTAT AT THE MAIN FLOOR  
DO NOT INSTALL TOWARDS THE SUN  
KEEP ALL INTERIOR DOORS OPEN

NOTE: ALL LINE VOLTAGE ROOM THERMOSTATS HAVE TO BE SET AT COMFORT TEMPERATURE

120VAC FROM DISTRIB. PANEL



ALREADY EXISTING FURNACE LOW VOLTAGE THERMOSTAT TO BE SET ALWAYS TO COMFORT



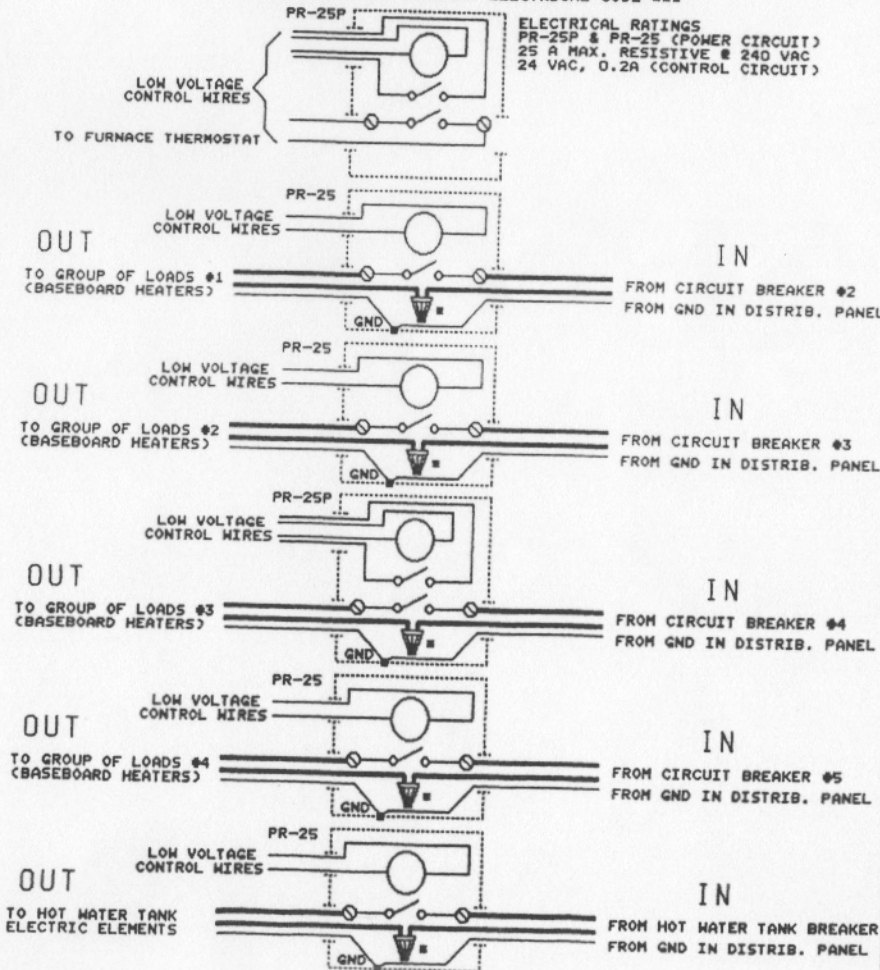
**■ WARNINGS**

"W" WIRE MUST NOT CARRY MORE THAN 0.35A; HIGHER CURRENTS MAY PERMANENTLY DAMAGE THE ET-4 OUTPUT.  
INSTALLING MORE THAN SIX "PR-25" WILL OVERLOAD TRANSFORMER TR-24.  
"X" WIRE MUST NOT BE CONNECTED TO EARTH.

## POWER CONNECTIONS FOR "PR-25" RELAYS

**WARNINGS**

- DO NOT ATTEMPT TO INSTALL THE PR-25 POWER RELAYS YOURSELF. RATHER CONTACT A QUALIFIED TECHNICIAN AND THE APPROPRIATE ELECTRIC AUTHORITY, OR A CERTIFIED ELECTRICIAN, AS NECESSARY.
- TURN OFF POWER SOURCES TO AVOID ELECTRIC SHOCKS.
- INSTALL PR-25 BOXES NEAR DISTRIBUTION PANEL.
- CLOSE SECURELY PR-25 BOXES WITH APPROPRIATE COVERS.
- WIRE CONNECTORS PROVIDED ARE SIZE #35 TO CONNECT ONLY TWO #12 AWG POWER CONDUCTORS OR TWO #10 AWG.
- USE WIRE CONNECTORS #33 IF POWER CONDUCTORS ARE #14 AWG.
- ■ ■ GENERIC DRAWING OF EXAMPLE OF INSTALLATION ■ ■ ■
- ■ ■ REFER TO CANADIAN ELECTRICAL CODE ■ ■ ■



**ELECTRICAL RATINGS**  
PR-25P & PR-25 (POWER CIRCUIT)  
25 A MAX. RESISTIVE @ 240 VAC  
24 VAC, 0.2A (CONTROL CIRCUIT)